

Combined thermal reset and / safety-limit thermostat, 3-pole switch, 40..60..85°C/110°C; 0,8m

Order No.: 005-1553



TR/STB 1157 03

Application

Combined thermal reset and safety-limit thermostat for electric boilers

Features

- TW Electro-mechanical thermal reset limit thermostat, approved to DIN 3440 and EN60730-1/-2-9, not fail safe.
- STB Electro-mechanical, fail safe safety thermal cut-out (STB), approved to DIN 3440, EN60730-1/-2-9 and directive 97/23/EG, Exceeding the cut-out temperature, the circuit switches to OFF and stays at this position. Manual reset is enabled after a temperature drop of approx. 10 K on the sensing element.
- Time factor of the sensing element complying with DIN 3440
 - TR: type 2 B according EN 60 730-1 /-2-9)
 - STB: type 2 B according EN 60 730-1 /-2-9)
 - Environmental condition for pollution: normal

Order No.

005-1553 (seulement Thermostat)
005-1553C (including Scale, see overleaf)

Technical data

The following indication are valid for the standard type 55.60012.370. Due to the function, other types show different data.

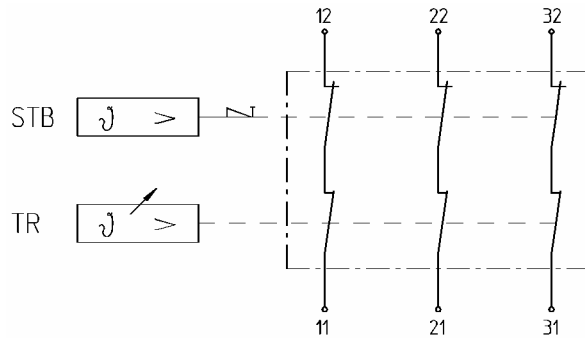
Switching system	Service life at nominal load • Nominal voltage range • Nominal current range I (I _M) Protection class	100'000 operations AC 40...400 V 0.5...20 (3.3) A I according to EN 60 730-1
Application range	Range Cut-out temperature ϑ_{off} Ambient temperature at switching head Thermal differential Sensing element temperature TR Sensing element temperature STB Storage and transportation temperature Minimal capillary bending radius Correction factor TR Correction factor STB	40 ... 60 ... 85°C 110 (0-8K) °C max. 80 °C (T80) 15.0 K ±7.5.0K max. 150°C max. 170°C -30...+120 °C R _{min} = 5 mm c = 0,25 [K/K] referred to ambient temp. c = 0,36 [K/K] referred to ambient temp.
Calibration	Calibration tolerance Calibrated for ambient temperature at switching head and capillary Time factor in water / in Oil	±5 K 23 ±2 °C (Tu23 according to DIN 3440) < 45 s / < 60 s
Execution	Switch system support Capillary tube Sensing element Diaphragm Capillary tube length L Electrical connection equipment side Electrical connection installation side Weight	Thermoplastic Stainless steel Stainless steel Stainless steel 870 mm Faston A6.3-0.8-Br acc. DIN 46 244 Screw terminal Approx. 223 gr.

Mounting indications

The required pocket material depends on the installation (medium, tank material etc.) and **must be specified by the user**

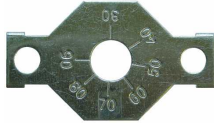
To comply with the time factor requirements according to DIN 3440, pockets must conform to drawing H 1 7111 3459 (see also data sheet "Pockets 1130")

Wiring diagram



Accessories

Scale: 40...85°C



Order No.: 005-1028

Dimensions

