

Not
temperature
compensated

**Electro-mechanical
safety temperature limiter**

RAK774.4/...

for flue gas ducts, in protective housing



Registered under DM/066 622

Electro-mechanical safety temperature limiter acc. EN 14597, fail-safe

For use in fuel oil or gas-burning heat generators, for the supervision of flue gas ducts in installations with low flue temperatures.

Application

Features

- Fail-safe, manual reset types, contact 11-12 will open in case of capillary failure
- Nominal value irreversibly adjustable from higher to lower temperature
- If nominal value is reached, the limiter switches and stays locked in this position
- Reset is performed manually and is only possible after the sensing element is cooled off by approx. 20 K
- Single-pole micro switch with change-over switch
- Corrosion-proofed sensing element with immersion tube for use in aggressive media, e.g. flue gas
- Time factor of sensing element acc. EN 14597
- Operation: Type 2 BDFHKL, acc. EN 14597

Type summary

Type	Order-no.	Range [°C]	Max. sensing element temperature [°C]	Inner -Ø flue gas duct
RAK774.4/3715M	011-4803.10	120/100/80	230	at least. 75mm
RAK774.4/3720M	011-4804.10	160/140/120	240	at least. 75mm
RAK774.4/3797M	011-4805.10	200/180/160	250	at least. 75mm

Technical data

Switching system	Switching capacity acc. VDE 0631 - Nominal voltage range - Nominal current range I (I _M) Service live at nominal load Protection class Protection mode of housing	40...250 V~ 0.5...10(6) A min. 15'000 operation I acc. VDE 0631 IP66 acc. EN 60529
Application range	Adjustable cut-off temperature ϑ_{off} Ambient temperature on housing Ambient temperature for storage and transport	see "Type summary" max. 70 °C (T70) -25...+75 °C
Calibration	Calibration tolerance Calibrated for ambient temperature on switching head and capillary	(0-12) K 23 ± 2 °C (Tu23 acc. EN 14597)
Specification	Switching head support (basic insulation) Capillary Sensing element Diaphragm Housing socket Housing cover	ceramic stainless steel copper stainless steel Polyamide reinforced (PA), temperature stability up to 120 °C Polycarbonate (PC), temperature stability up to 120 °C

Immersion length R of immersion tube	75 mm
Electrical connection	screw terminals
Earth connection	screw terminals
Cable bushing	M20
Weight without packaging and immersion tube	approx. 255 gr.

Product range

Together with corresponding accessories, the standard execution can be used for several mounting forms / applications (must be ordered separately)

Accessories:

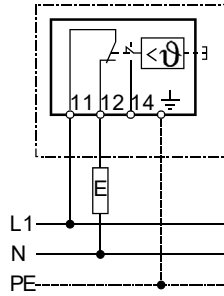
- Mounting bracket for mounting protective housing
- Signal lamp compl. for optical warning of position/failure

Order-no.

005-0412

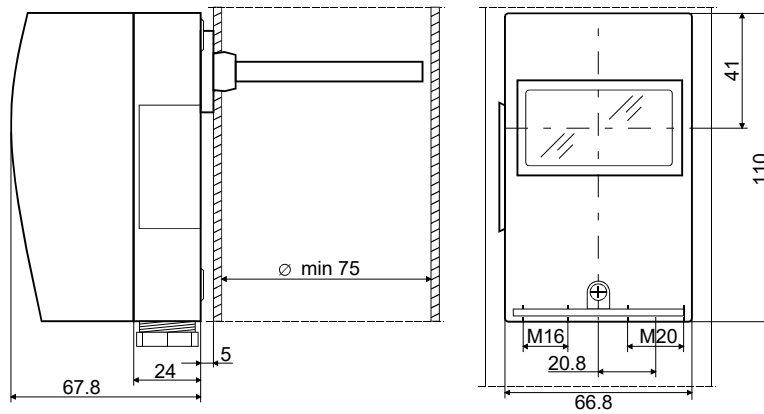
005-0589

Wiring diagram

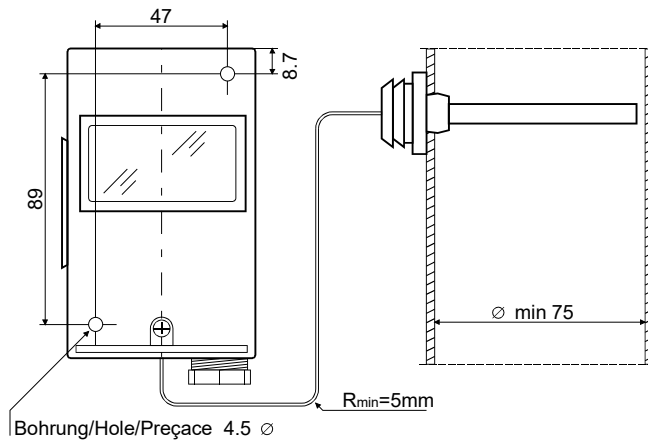


Dimension drawing / mounting method

- on sealing plug
(Standard)



- direct on wall



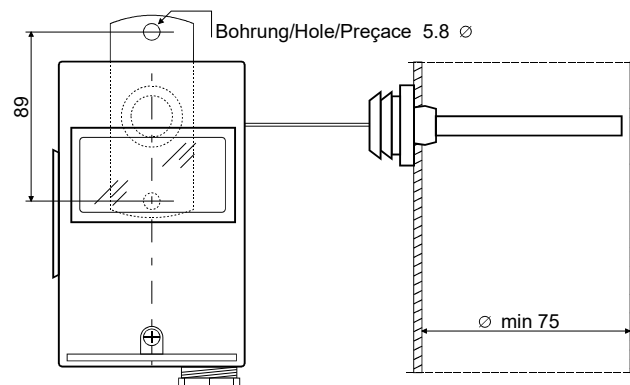
Socle
Cover
Sealing
plug

005-1054

005-0551.3

005-0559

- on mounting bracket



Mounting
bracket

005-0412