

Flange heater Ø 180 mm Incoloy 825; 2.4858

AHFOR-BI-OP-...

With combination of temperature control and safety
temperature limiter
Compatible with the consumption regulator
Fronius Ohmpilot



PV own power consumption

- Immersion heater with continuous adjustment via Ohmpilot from Fronius
- Power regulation from 0 to 100%



Application

Auxiliary heating system of industrial water and heating water.

Features

- FH** The heating element is made of three U-shaped heating tubes, each press-fitted into a press-fitting nipple. These are bolted with the immersion tube onto a steel flange. A food-safe plastic disk serves as insulation. Thanks to the insulated mounting of the heating tubes, the devices are also suitable for enamelled boilers. By using the integrated DIP switch, the potential equalisation resistance for the usage in stainless steel tanks is bridgeable. The unheated zone is 70 mm for all types.
- TC** Electromechanical temperature control acc. EN 14597, not fail safe.
- STL** Electromechanical safety temperature limiter acc. EN 14597, fail safe. If nominal value is reached, the limiter switches and stays locked in this position. Reset is performed manually and is only possible after the sensing element is cooled off by approx. 10 K.
- Time factor of sensing element acc. EN 14597
 - Operation type TC Type 2 B acc. EN 14597
 - Operation type STL Type 2 BK acc. EN 145979

Type summary

Industrial and heating water
Incoloy 825, 2.4858

Type	Order no.	Power	Immersion length [EL]
AHFOR-BI-OP-2.0	012-5601	2.0kW; 400V 3~	260mm
AHFOR-BI-OP-2.5	012-5602	2.5kW; 400V 3~	310mm
AHFOR-BI-OP-4.0	012-5603	4.0kW; 400V 3~	260mm
AHFOR-BI-OP-5.0	012-5604	5.0kW; 400V 3~	300mm
AHFOR-BI-OP-6.0	012-5605	6.0kW; 400V 3~	360mm
AHFOR-BI-OP-7.5	012-5606	7.5kW; 400V 3~	420mm
AHFOR-BI-OP-8.0	012-5607	8.0kW; 400V 3~	450mm
AHFOR-BI-OP-9.0	012-5608	9.0kW; 400V 3~	490mm

Technical data

The following indications are valid for the above listed standard types. Due to the function, other types might show different data.

Application range	Adjustable cut-off temperature	0...*...28...85 °C
	Safety cut-off temperature ϑ_{off}	110 °C (0-9 K)
	Ambient temperature on switching head	max. 50 °C (T50)
	Thermal switching differential	11.0 K ± 5.5 K
	Ambient temperature for storage and transport	-30...+90 °C
Calibration	Calibration tolerance	± 7 K
	Time factor in water	<45 s

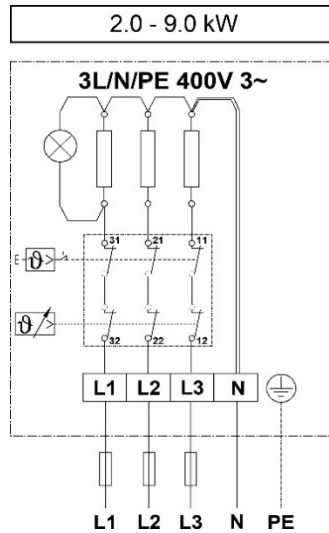
Specification

Flange material	St 37
Outside flange diameter	Ø 180 mm
Pitch circle diameter	Ø 150 mm / 8 X M12
Flange seal	EPDM, KTW and FDA certification
Plastic disk	PP-H, FDA certification
Heating tube	Incoloy 825; 2.4858, Ø 8.2 mm
Immersion tube	Incoloy 825; 2.4858
Surface load	7 W/cm ²
Electrical connection	Screw clip 4mm ²
Operating pressure	max. 10 bar
Housing cover	Polycarbonate, RAL 7035 (light gray)
Protection mode	IP21 acc. EN 60529

Fitting notes

The device must be installed horizontally. The heating tubes must be covered entirely by the liquid. The circulation of the liquid shall not be inhibited.

Wiring diagram



Dimension drawing

