

**Flange heater Ø 280 mm
Incoloy 825; 2.4858**
AHFOR-BI-OP

With combination of temperature control and safety
temperature limiter
Compatible with the consumption regulator
Fronius Ohmpilot


Application

Auxiliary heating system of industrial water and heating water.

Features

FH The heating element is made of six U- shaped heating tubes, each press-fitted into a press-fitting nipple. These are bolted with the immersion tube onto a steel flange. A food-safe tesnit disk serves as insulation . This heating element can be used for stainless steel-, as well as for black steel or enamelled storage tanks. Depending on storage type, select the settings using the DIP switch.
The unheated zone is 70 mm for all types.

TC Electromechanical temperature control acc. EN 14597, not fail safe .

STL Electromechanical safety temperature limiter acc. EN 14597, fail safe. If nominal value is reached, the limiter switches and stays locked in this position. Reset is performed manually and is only possible after the sensing element is cooled off by approx. 10 K.

- Time factor of sensing element acc. EN 14597
- Operation type TC Type 2 B acc. EN 14597
- Operation type STL Type 2 BK acc. EN 145979

Type summary

Industrial and heating water
Incoloy 825; 2.4858

| Type | Order no. | Power | Immersion length [EL] |
|-----------------------|-----------|-----------------|-----------------------|
| AHFOR-BI-OP-18.0-Ø280 | 012-5612 | 18.0kW; 400V 3~ | 490mm |

Technical data

The following indications are valid for the above listed standard types. Due to the function, other types might show different data.

Application range

Adjustable cut-off temperature 0...*...28...85 °C
Safety cut-off temperature ϑ_{off} 110 °C (0-9 K)
Ambient temperature on switching head max. 50 °C (T50)
Thermal switching differential 11.0 K ± 5.5 K
Ambient temperature for storage and transport -30...+90 °C

Calibration

Calibration tolerance ± 7 K
Time factor in water <45 s

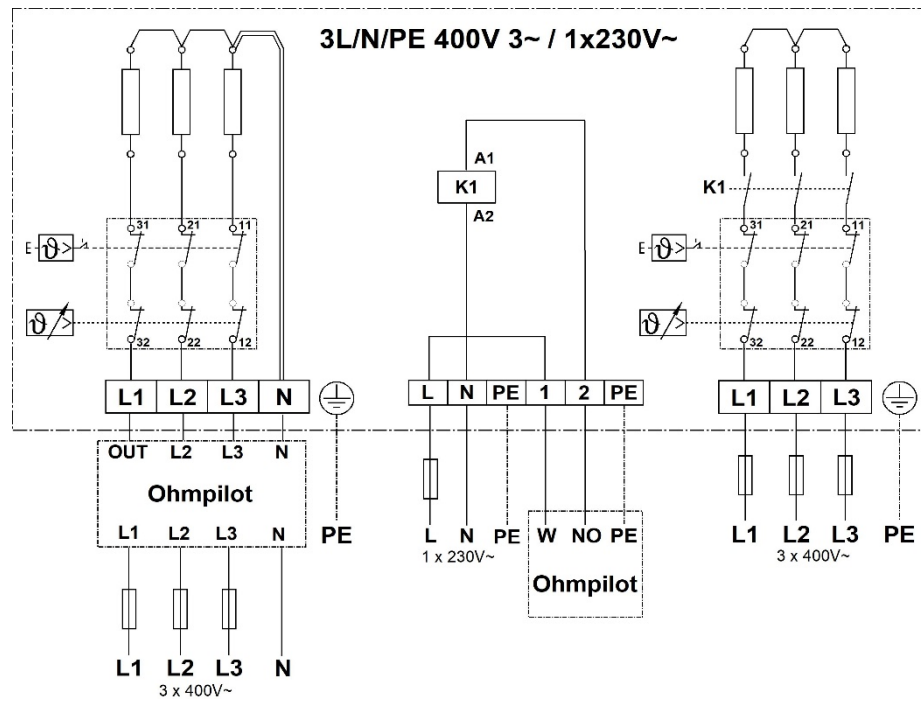
Specification

Flange material St 37
Outside flange diameter Ø 280 mm
Pitch circle diameter Ø 210 mm / 12 X M12
Flange seal EPDM, KTW and FDA certification
Tesnit sealing disk Tesnit BA-U Hellblau, KTW certification
Heating tube industrial water Incoloy 825; 2.4858, Ø 8.2 mm
Immersion tube Cronifer 1.4529
Surface load 7 W/cm²
Electrical connection Screw clip
Operating pressure max. 10 bar
Housing cover ABS UL94 V0, NCS 2005-R80B (light gray)
Protection mode IP21 acc. EN 60529

Fitting notes

The device must be installed horizontally. The heating tubes must be covered entirely by the liquid. The circulation of the liquid shall not be inhibited.

Wiring diagram



Dimension drawing

