

Fitting instruction and user manual

Please keep in a safe place

Hardware set Askoma SmartHome

- Power supply for energy manger (1TE)
- Energy manger (2TE)
- Energy meter node (3TE)



Index

Installation process	Page 2
Safety indication	Page 3
Scope of delivery	Page 3
Installation	Page 4
Schematic diagram	Page 7
Notes	Page 8

Support

Support hotline:	+41 62 958 70 99
E-mail	support@askoma.com
Homepage:	www.askoma.com
Download area:	http://www.download.askoma.com/de/mv/Power to heat/MV_Askohome+.pdf

Installation, setting and removal must be carried out only by qualified electricians.

Installation process

Installation process

1. Before installation at the customer

- See installation manual for **ASKOHOME+**
- One time preparation
 - * Registration
 - * Download the mobile app from the App Store for iOS or Play Store for Android devices

2. Electrical installation

- Assembly of devices
- Wiring of devices

3. Setting up the customer system (software)

- Customer registration (via customer e-mail)
- Registration energy manager ID number (QR-Code)
- Detection of connected devices

4. Briefing customer

- Customer confirms registration and access to his system via
 - * web link from registration e-mail
 - * mobile customer app from the App Store or Play Store
- Customer books the subscription package that suits him

Safety indication



- Only start up the device after reading the user manual.



- These devices may be used by children aged 8 or more and by persons with reduced physical, sensory or mental capacity or those lacking in experience and/or knowledge if they are supervised or if they have been instructed in safe operation of the device and understood the resultant dangers. Children must not play with the device. The device must not be cleaned or serviced by children unless they are supervised.



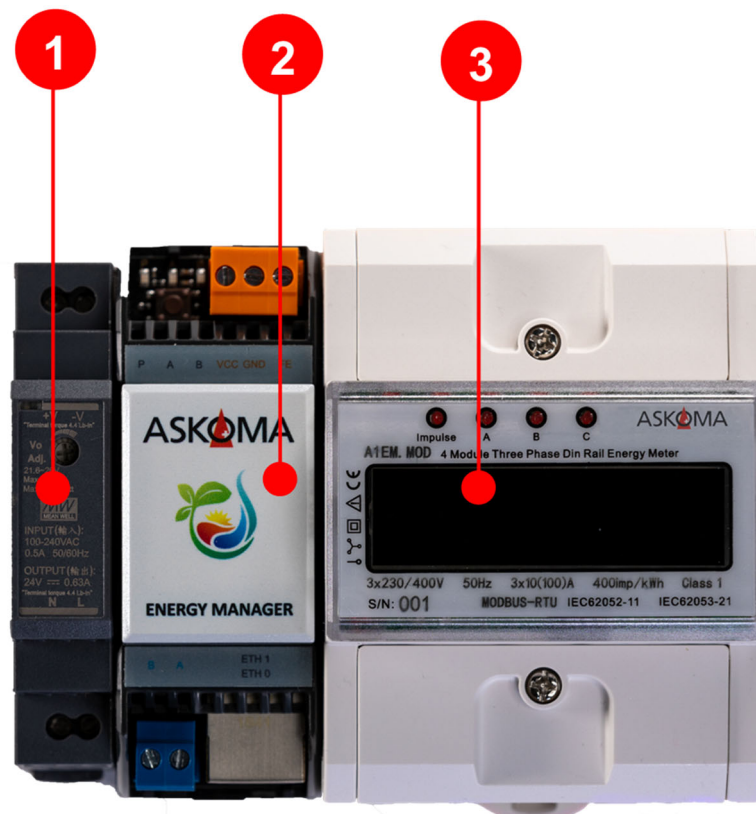
- Installation, setting and removal must be carried out only by qualified electricians.

Scope of delivery

1 Power supply for energy manager

2 Energy manager

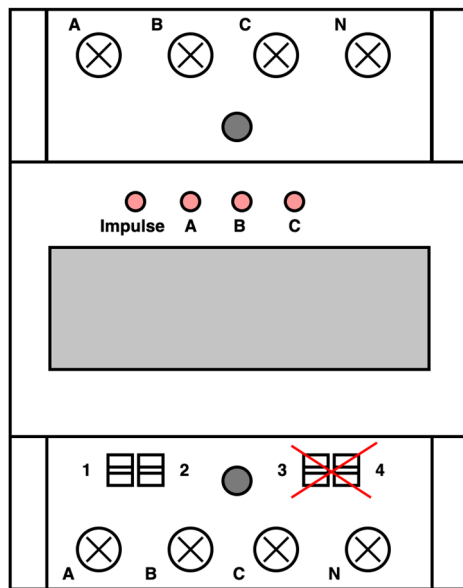
3 Energy meter



Installation

Energy meter

The energy meter is installed at the house node between the network meter of the network operator and the house distributor (consumers). This serves to record the excess energy which is fed back into the energy supply network.



Upper connection

(outgoing line to consumers)

- A: Phase L1
- B: Phase L2
- C: Phase L3
- N: Neutral conductor

Lower connection

(infeed from the network meter)

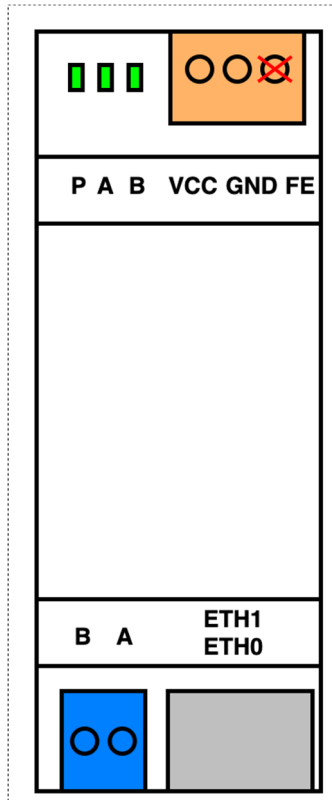
- A: Phase L1
- B: Phase L2
- C: Phase L3
- N: Neutral conductor

- 1 RS485 A (communication with the energy manager)
- 2 RS485 B (communication with the energy manager)
- 3 -
- 4 -

Installation

Energy manager

The energy manager is used to transmit energy and resource consumption. The gateway is used to monitor and control devices and system states.



Upper connection (orange plug)

VCC: Energy supply 24VDC +
 GND: Energy supply 24VDC -
 FE: -

Lower connection

(blue plug—communication meter)

A: RS485 A
 B: RS485 B

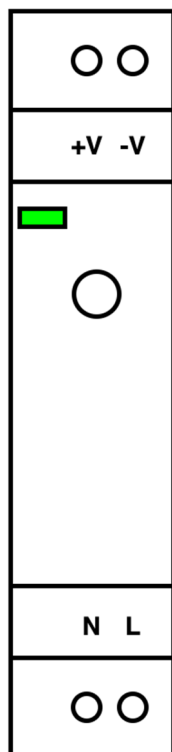
(LAN sockets - connection to the network / heating element)

ETH1: LAN-network
 ETH2: heating element (optional)

Installation

Power supply for energy manager

The power supply unit serves as a power supply for the energy manager.



Upper connection (secondary)

+V: DC voltage connection +

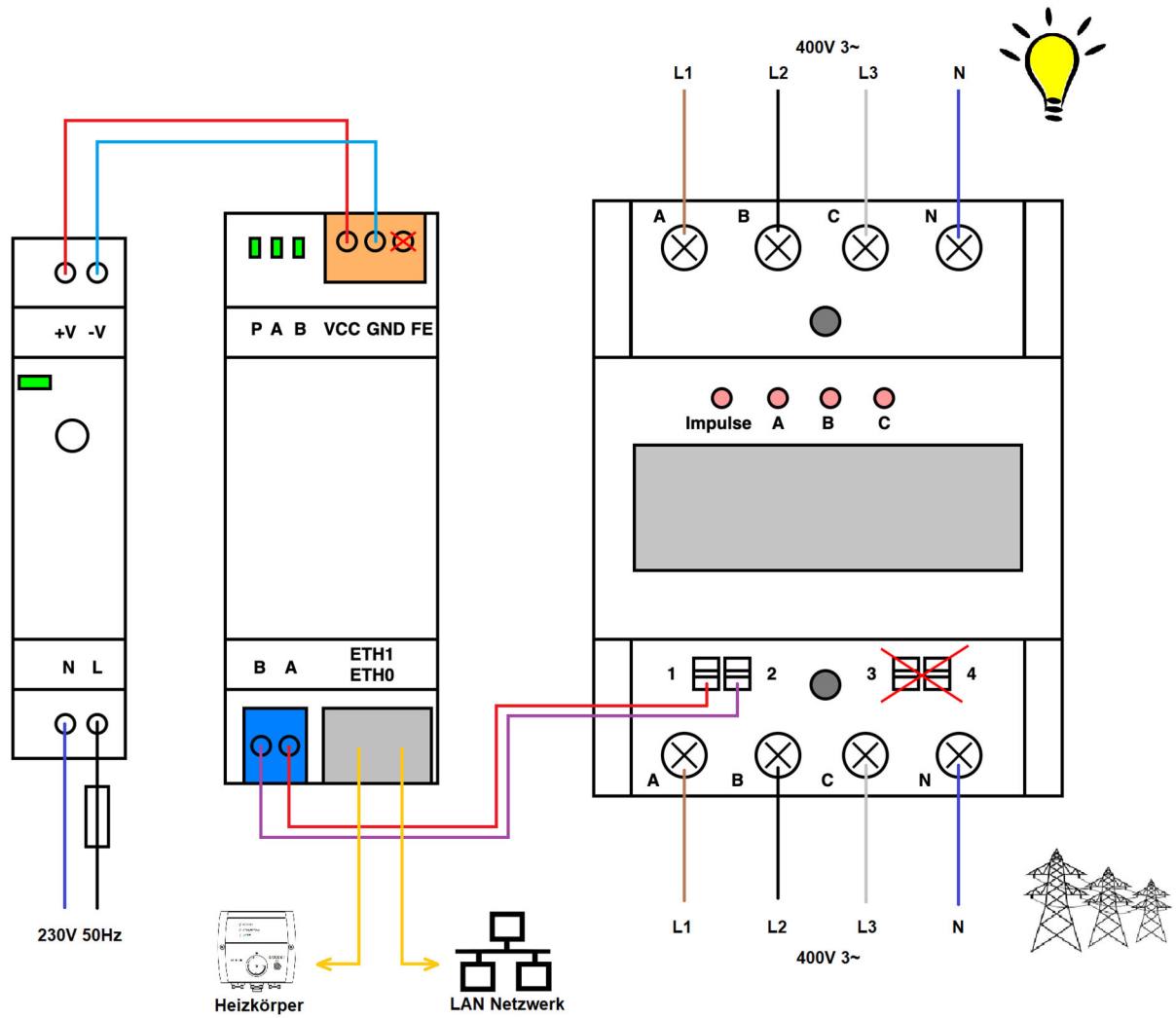
- V: DC voltage connection -

Lower connection (primary)

L: Power supply 230V~ L

N: Power supply 230V~ N

Schematic diagram



Operating voltages:

Transformers for energy manager

» L/N 230 V ~

Energy manager

» CVV / GND 24VDC

Energy meter

» A/B/C/N 400V 3~

Notes